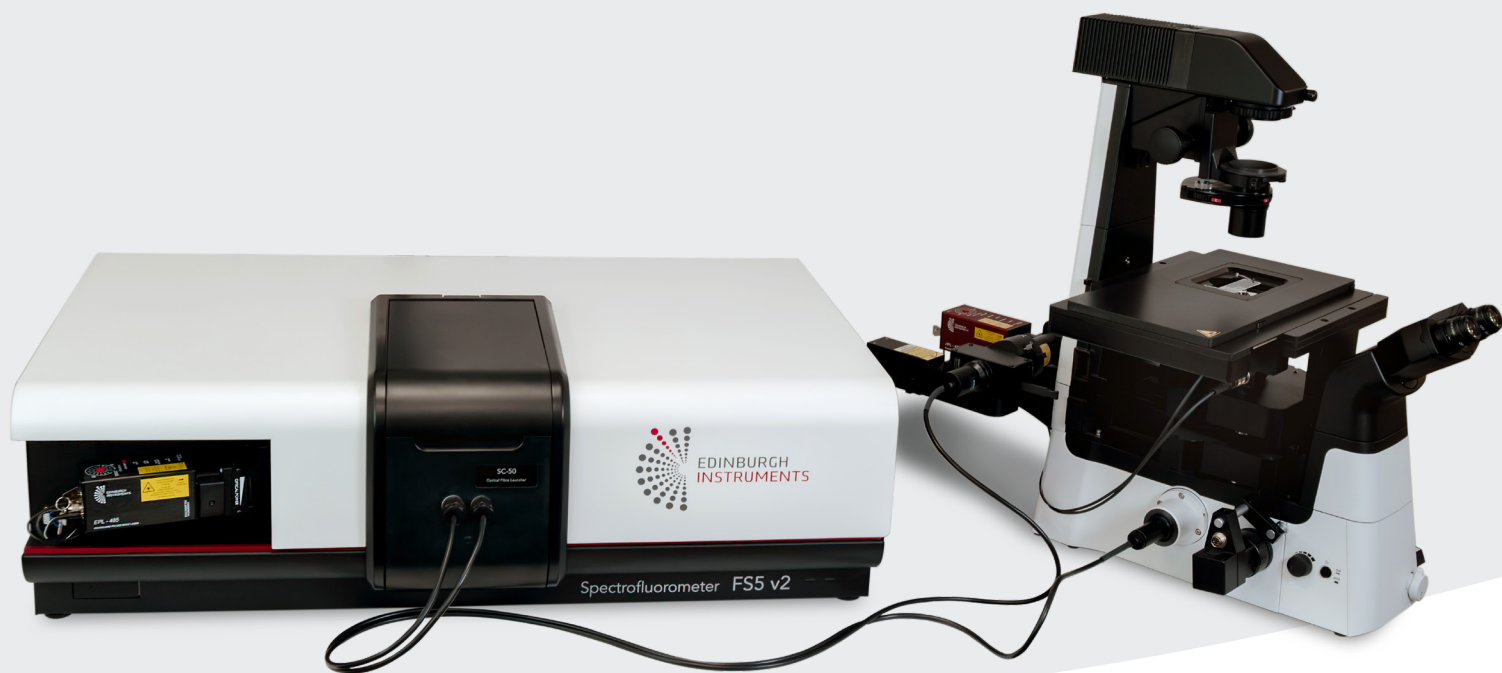


MicroPL

Upgrade For Edinburgh Instruments
Photoluminescence Spectrometers



The MicroPL Upgrade for Edinburgh Instruments Photoluminescence Spectrometers such as the FLS1000 or FS5 allows the study of spectral or time-resolved photoluminescence of samples in the microscopic scale.

An Edinburgh Instruments photoluminescence (PL) spectrometer can be converted into a combined spectrometer and microscope system with this user-friendly upgrade.

A wide range of microscope configurations, source coupling and detector options are available enabling both steady state and fluorescence lifetime microscopy, as well as automated maps, using the same setup.

Just like Edinburgh Instruments spectrometers, the PL microscope is fully configurable to meet your specific needs and can be upgraded with additional capability in the future.

It is also possible to couple your own microscope to the FLS1000 or FS5 for a custom MicroPL upgrade (please get in touch for models supported).

Key Features



Spectral and Time Resolved

Suitable for any type of photoluminescence experiment



Customisable

Tailored to your application and upgradable in the future



FLIM Add-On

Accessible and user-friendly fluorescence lifetime mapping



Plug & Play

Easy to swap between MicroPL and FLS1000 or FS5 standard sample holders



All-In-One Software

Including data acquisition, analysis and presentation



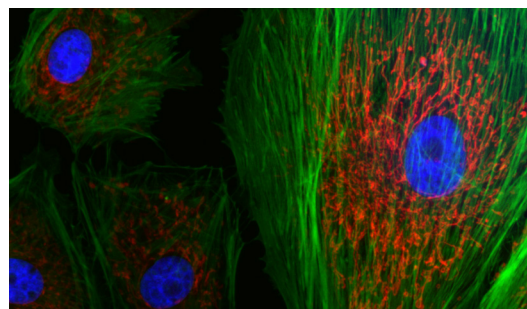
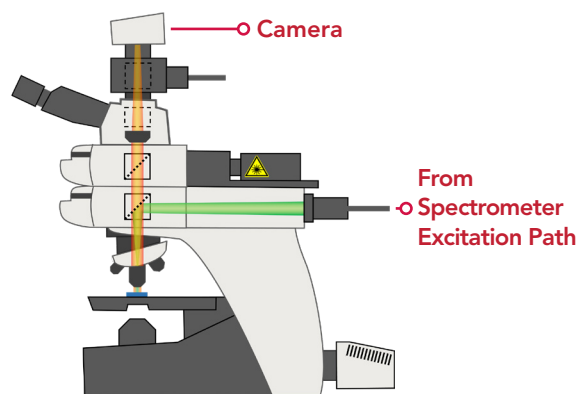
EXCITATION SOURCE FLEXIBILITY TO SUIT YOUR APPLICATION

MicroPL is coupled to the spectrometer via liquid light guides or fibres. It is possible to excite the full field of view of the microscope's objective (widefield excitation), or a specific point in the sample with a laser (point excitation).

WIDEFIELD EXCITATION

In widefield excitation, the spectrometer's lamp and monochromator are used to select the wavelength of the light exciting the sample. Wavelength and bandwidth of the excitation light can be set in the software. This provides much more flexibility than traditional microscopy and removes the need for excitation filters – however, an additional white light excitation lamp can be fitted directly to the microscope if desired.

Widefield microscopy imaging setup (above) and image of BPAE cells labelled with BODIPY, Texas Red and DAPI dyes (below), using FS5 Spectrofluorometer and MicroPL.

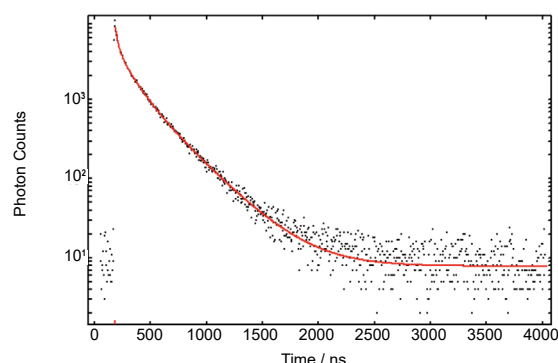
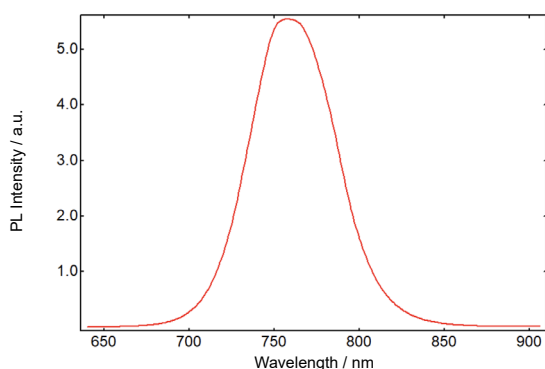
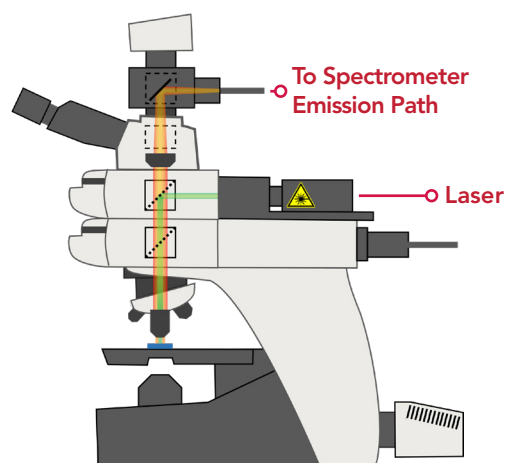


POINT EXCITATION

Point excitation can be performed with either CW or pulsed lasers for spectral or lifetime PL measurements. MicroPL is compatible with Edinburgh Instruments EPL, HPL, and VPL diode lasers. A spot size of $\sim 2 \mu\text{m}$ (source and objective dependent) is achievable, enabling to resolve PL spectra and lifetimes in the micrometer scale.

Both Time-Correlated Single Photon Counting (TCSPC) and Multi-Channel Scaling (MCS) operating modes are compatible, covering a wide range of photoluminescence lifetimes, from a few ps up to seconds. Non-standard applications such as upconversion PL microscopy are possible with the appropriate choice of filters and laser coupling.

Point excitation micro-spectroscopy setup (above right), PL spectrum (below) and TCSPC lifetime (below right) of a perovskite sample studied in an FLS1000 Spectrometer with MicroPL upgrade.





FLIM ADD-ON

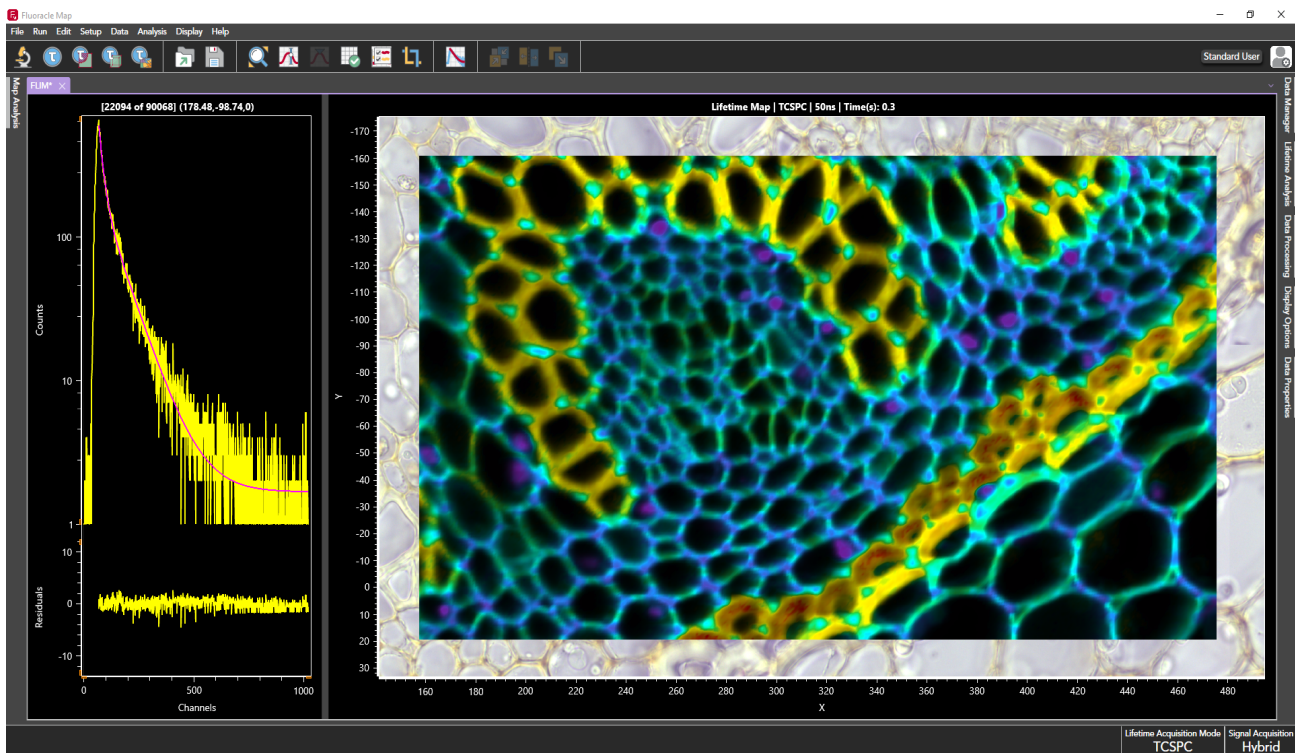
FLIM MICROSCOPY MADE SIMPLE

MicroPL can be configured with a computer-controlled XYZ stage for Fluorescence Lifetime Imaging Microscopy (FLIM). This upgrade is designed with user-friendliness in mind: you do not need to be a microscopy expert to acquire good quality FLIM data.

The FLIM add-on unlocks the FluoracleMap software upgrade including control of the stage and advanced analysis options for maps, such as multi-component decay fitting algorithms. No additional software packages are required to obtain and analyse data.

To acquire a FLIM map, the user defines the area or volume to scan across, as well as the spacing between data points and the lifetime acquisition parameters. The software then moves the stage acquiring a fluorescence decay in each data point.

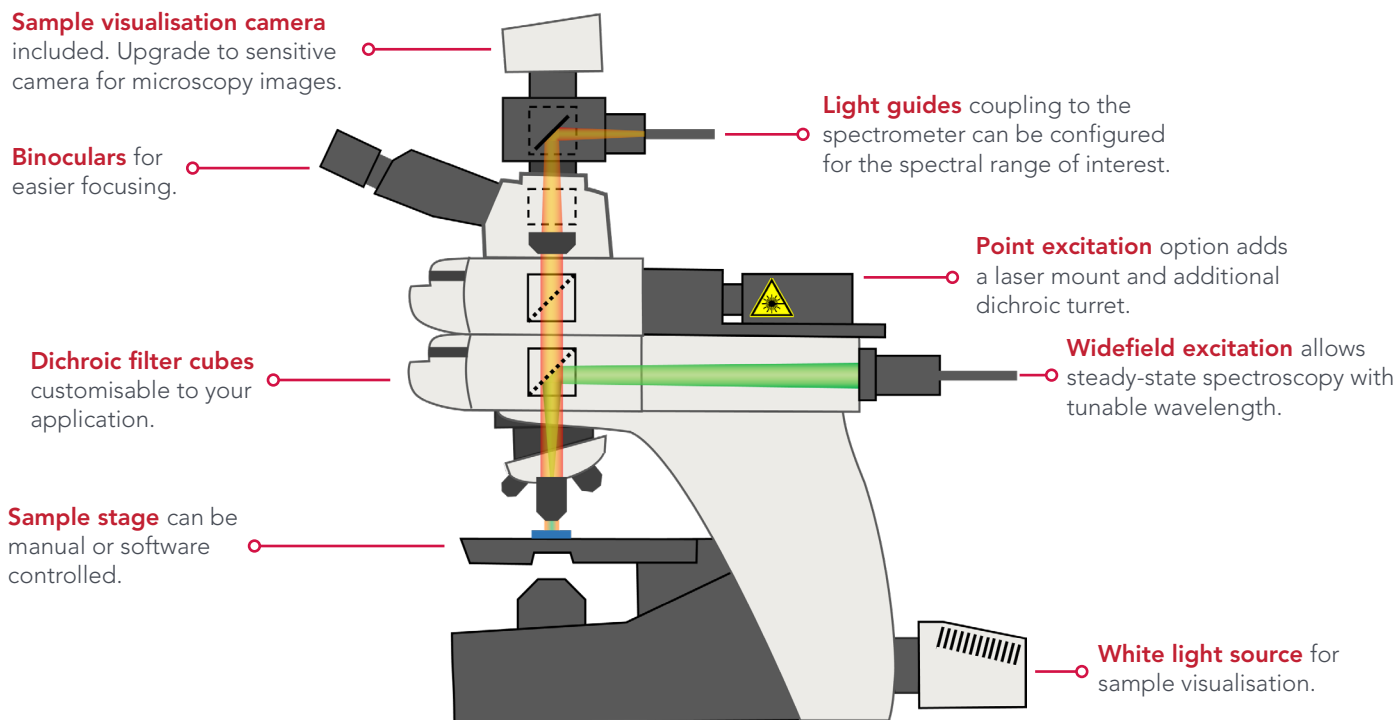
The result is a map which can be represented according to intensity, average lifetime or single-component lifetime in each data point, amongst other options. Surface topography and 3D maps can be analysed and displayed in Fluoracle.



FluoracleMap displaying a FLIM map result from *convallaria*. The user can define the mapping area, distance between points, acquisition and analysis parameters.



A MICROSCOPE TAILORED TO YOUR EXACT NEEDS



Specifications

MICROSCOPE MODELS	Upright: Nikon NiL, Nikon LV100 Inverted: Nikon Ti2-U
EXCITATION / EMISSION RANGE	360 nm – 850 nm standard Can be extended with non-standard UV and NIR objectives
EXCITATION MODES	Widefield: tunable continuous source from spectrometer (steady state) Point: EPL/HPL/VPL pulsed lasers (TCSPC or MCS lifetime) and CW lasers (steady state)
DETECTION MODES	Micro-PL spectroscopy with spectrometer Fluorescence Microscopy with additional camera
OBJECTIVE MAGNIFICATION	Options available from 5X to 100X
SAMPLE STAGE	Manual or PC-controlled XYZ stage with specifications: 75 mm x 50 mm or 130 mm x 85 mm options XY resolution 0.01 μ m Z resolution 0.002 μ m
SOFTWARE	Mapping features in Fluoracle included with PC-controlled XYZ stage
ACCESSORIES	Software-controlled cryostat upgrade



MicroPL follows the laser classification of the sources coupled to it. Please obey laser safety regulations.

edinst.com

Registered in England and Wales No: 962331 VAT No:GB 271 7379 37
All specifications are correct at the time of production. We reserve the right to change our specifications without notice. ©Edinburgh Instruments Ltd. 2022
STG08 / 03.25





超高真空・極低温走査型プローブ顕微鏡
高速分光測定装置、クライオスタット



Nd:YAGレーザー、Ti:Sレーザー
OPOLレーザー

- 本カタログに記載されている内容は、改良のため予告無く変更する場合があります。（製品の仕様、性能、価格などはカタログ発行当時のものです）
- 本カタログに記載されている内容の一部または全部を無断で転載することは禁止されております。
- 本カタログに記載されているメーカー名、製品名などは各社の商標または登録商標です。