

GLAN LASER POLARIZING PRISMS

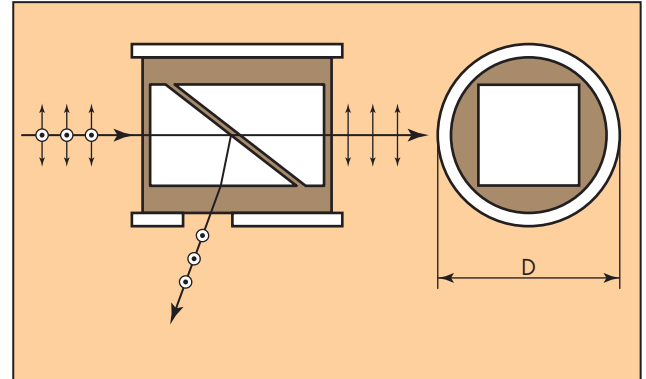
Lasers

Laser Components

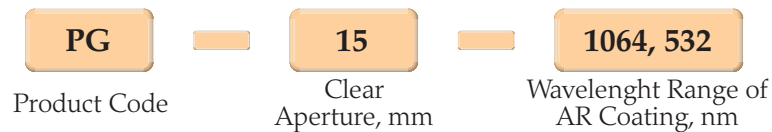
Laser Optics

SPECIFICATIONS

Substrate Material	Calcite
Transmitted Wavefront	$\lambda/4$ at 633 nm
Extinction Ratio	$10^5 : 1$
Transmission Efficiency	$T > 90\%$
Antireflection Coating	$R \leq 0.50\%$
Housing Material	Anodized aluminum
Damage Threshold	1 J/cm ² , 10 nsec pulse at 1064 nm typical.



Describe your wavelength and dimension with our specification blocks:



GLAN LASER POLARIZING PRISMS

Product number	Clear Aperture, mm	Transmittance, %	Diameter D, mm	Length L, mm	Wavelength Range of AR Coating, nm
PG-10-1064, 532	10	≥ 85	30	30	1064, 532
PG-15-1064, 532	15	≥ 85	35	34	1064, 532
PG-10-532, 355	10	≥ 80	30	30	532, 355
PG-15-532, 355	15	≥ 80	35	34	532, 355